

**NARVIK NOVA**

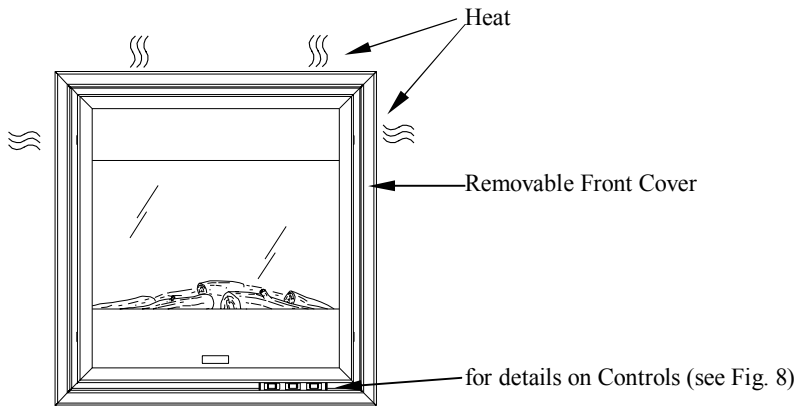
**electrical ambience heating**  
**installation and operating instructions**



Saturnus 8      NL-8448 CC Heerenveen  
Postbus 219      NL-8440 AE Heerenveen  
T. +31(0)513 656500  
F. +31(0)513 656501

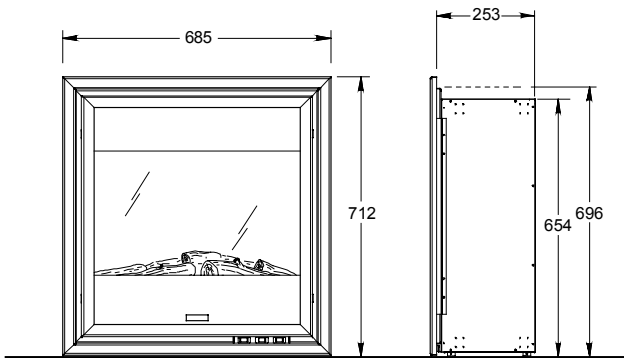


**DESCRIPTION OF THE STOVE**



*Fig. 1 Narvik Nova*

**DIMENSIONS**



*Fig. 2 Narvik Nova*

**TABLE OF CONTENTS**

<b>1.</b>	<b>FOREWORD</b>	<b>4</b>
<b>2.</b>	<b>INTRODUCTION</b>	<b>5</b>
<b>3.</b>	<b>SAFETY PRECAUTIONS</b>	<b>6</b>
<b>4.</b>	<b>INSTALLATION</b>	<b>7</b>
	4.1 Installation Instructions	7
	4.2 Installation Space	7
	4.3 Location and Minimum Free Space	7
<b>5.</b>	<b>OPERATION</b>	<b>8</b>
	5.0 Operation	8
	5.1 Initializing the remote control	9
	5.2 Remote control operation	10
	5.3 Manual operation	11
	5.4 Thermal safety cut	12
<b>6.</b>	<b>CLEANING AND MAINTENANCE</b>	<b>12</b>
	6.1 Cleaning	12
	6.2 Lamp replacement	13

## 1. FOREWORD

This fire incorporates a flame effect which can be used with or without heating, so that comforting effect may be enjoyed at any time of the year. The flame effect is provided by a low wattage motor and three 60 watt lamps. Using the flame effect on its own, therefore, requires little electricity.

The controls are located at the bottom right hand corner of the appliance (see Fig 1). A choice of 750W or 1500W heat output is provided by the fan heater, which is concealed at the top of the heater behind the removable front panel.

The NARVIK NOVA is designed to be inset in a fireplace opening.



This appliance complies with the CE directives.

## 2. INTRODUCTION

This instruction manual gives you information about the design, operation and maintenance of your fire, as well as safety precautions and environmental recommendations.

As you read this manual, you will quickly learn how to operate your fire. You will also find information about the safety and maintenance of the equipment.

Read the manual carefully before using your fire and then keep the manual in a safe place.

### 3. SAFETY PRECAUTIONS

- Have the stove installed by a qualified installer in accordance with local and national (fire safety) regulations.
- Ensure that all packaging items are removed (read any warning labels carefully).
- Retain all packaging until installation is complete.
- The heater must be used on an ~ 230V supply and the voltage marked on the heater must correspond with the supply voltage.
- Warning: This appliance must be earthed.
- When using electrical appliances, basic precautions should always be followed to reduce the risk of fire, electrical shock, and injury to persons, including the following:
- If the appliance is damaged, check immediately with the supplier before installation and operation.
- Do not use outdoors,
- Do not use in the immediate surroundings of a bath shower or swimming pool.
- Do not locate the heater immediately below a fixed socket outlet or connection box.
- Do not cover the heater. Do not place material or garments on the heater, or obstruct the air circulation around the heater, for instance by curtains or furniture, as this could cause overheating and a fire risk.
- Do not leave young children unsupervised in the vicinity of the heater.
- Ensure that furniture, curtains or other combustible material are positioned no closer than 1 meter from the heater.
- In the event of a fault unplug the heater.
- Although the heater complies with safety standards, we do not recommend its use on deep pile carpets or on long hair type of rugs.
- The appliance must be positioned so that the plug is accessible.
- If the supply cord is damaged it must be replaced by the manufacturer or service agent or similarly qualified person in order to avoid a hazard.

### 4. INSTALLATION

#### 4.1 INSTALLATION INSTRUCTIONS

Have the stove installed by a qualified installer in conformance with national and local (fire safety) regulations.  
Be sure that the chimney functions properly.

#### 4.2 INSTALLATION SPACE

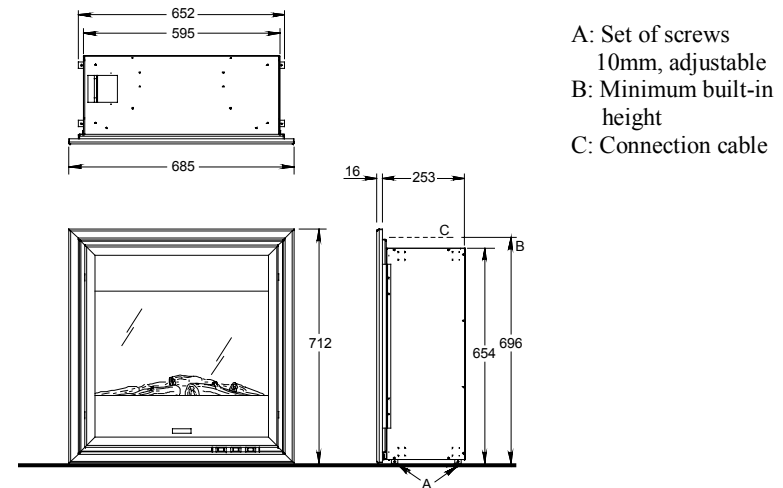


Fig. 3

#### 4.3 LOCATION AND MINIMUM FREE SPACE

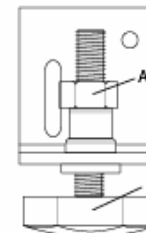


Fig 4

Before installing read all safety warnings and operating instructions.  
The Narvik is delivered with 4 brackets on the bottom.  
Turn nuts **A** to the left and turn the bolt **B** to level them.  
Tighten the nuts after levelling.

### 5. OPERATION

#### 5.0 OPERATION

The controls are located at the bottom right hand corner of the appliance (fig. 1).  
Connect the fire to your electricity supply.

**Note:** When either the remote control or the manual controls are used the neon's will come on for 3 seconds indicating the appropriate setting (see Figure 5).

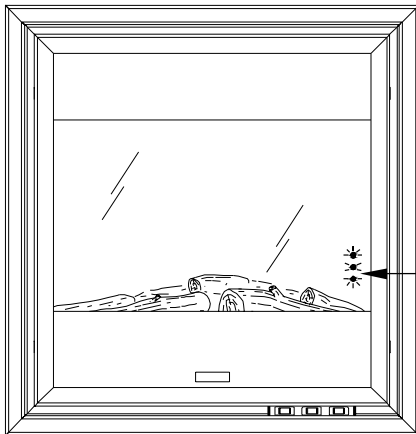


Fig. 5

#### 5.1 INITIALIZING THE REMOTE CONTROL

Note: The remote control is packed separately in the carton.

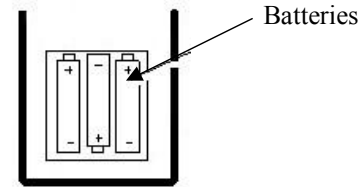


Fig. 6

1. Slide open the battery cover on the back of the remote transmitter.
2. Install three AAA batteries into the remote control (see Figure 6).
3. Replace battery cover.

### 5.2 REMOTE CONTROL OPERATION

**Warning:** It takes some time for the receiver to respond to the transmitter. Do not press the buttons more than once within two seconds for correct operation.

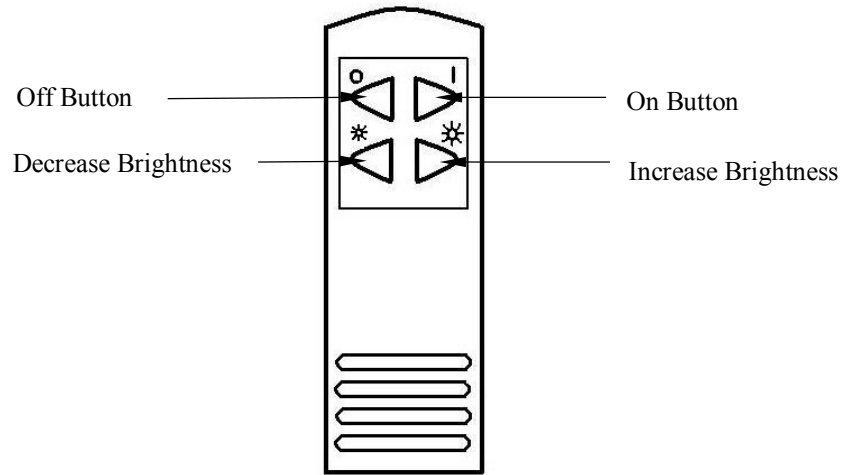


Fig. 7

Operation

<u>Setting</u>	<u>Operation</u>	<u>Indication</u>
Flame effect	Press the 'ON' button once	Bottom Neon
Flame effect & 750W heat setting	Press the 'ON' button again	Middle Neon
Flame effect & 1500W heat setting	Press the 'ON' button again	Top neon

To turn off any of the settings press the 'OFF' button once.

To increase or decrease the brightness of the fuel effect use the buttons as shown in Figure 7.

### 5.3 MANUAL OPERATION

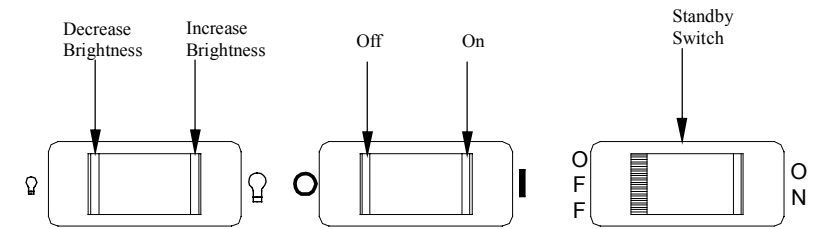


Fig. 8

**Note:** The Standby Switch must be first turned on to operate either the manual or the remote controls. The red indicator mark on the switch will be visible when it is turned on.

Operation

<u>Setting</u>	<u>Operation</u>	<u>Indication</u>
Flame effect	Press the 'I' button once	Bottom Neon
Flame effect & 750W heat setting	Press the 'I' button again	Middle Neon
Flame effect & 1500W heat setting	Press the 'I' button again	Top Neon

To turn off any of the settings press the 'O' button once.

To increase or decrease the brightness of the fuel effect use the buttons as shown in Figure 8.

### 5.4 THERMAL SAFETY CUT-OUT

A thermal safety cut-out is incorporated in the heater to prevent damage due to overheating. This can happen if the heat outlet was restricted in any way. The heater will switch on once the obstruction has been removed and the heater has cooled. If the cut-out continues to operate intermittently, the heater should be switched off and a service agent contacted.

## 6. CLEANING AND MAINTENANCE

**Warning:** Always disconnect from the power supply before attempting any maintenance.

### 6.1 CLEANING

Before commencing cleaning, unplug the heater and allow it to cool.

The surface of the heater should be given an occasional wipe over with a soft damp cloth. Do not use detergents abrasive cleaning powder or polish on the body of the heater. The glass screen should be cleaned carefully with a chamois leather. Do not use proprietary glass cleaners.

### 6.2 LAMP REPLACEMENT

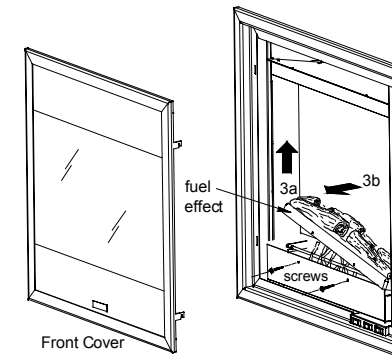


Fig. 9

#### To gain access to the lamps.

1. Remove the Front Cover by lifting up and out.
2. Remove two screws on the fuel effect.
3. (a) Lift one side of the fuel effect up first and (b) lift out gently, taking care not to damage the logs as they are fragile – see Fig. 9.
4. For access to the bulbs, carefully rotate the flexible rotisserie out of position ensuring that the rubber grommet is not lost – see Fig 10.
5. Unscrew the defective lamp anti-clockwise. Replace with a 230 V, 60W E14 SES lamp, do not over tighten (fig. 10).
6. Refit the fuel effect (with two screws) and Front Panel.

